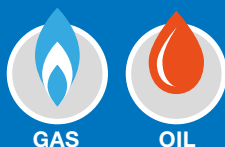


TWINWALL INSULATED EXHAUST SYSTEM FOR POWER GENERATORS

# THERM+ GEP



Your chimney for life

# THERM + GEP

*Twin wall insulated chimney system for power generators*



**CE**

071-CPR-19655

**THERM + GEP 50**

T600 H1 D V2 L50050 O50 (Ø150-200)

T600 H1 D V2 L50060 O50 (Ø250-300)

T600 H1 D V2 L50080 O50 (Ø350-600)

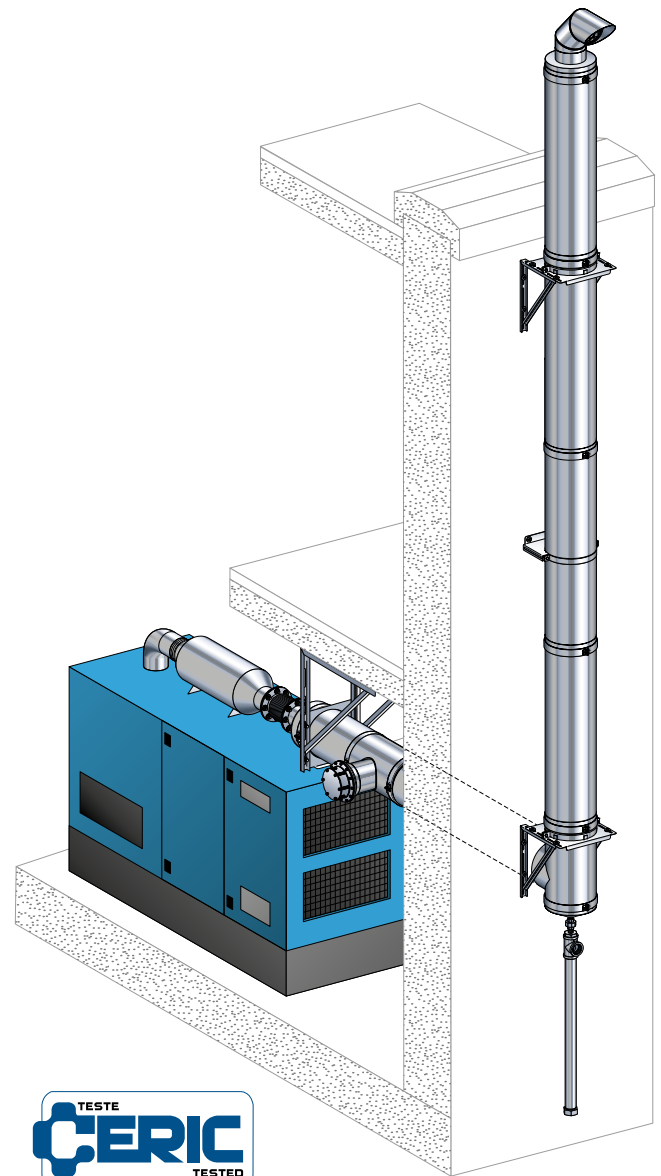
**THERM + GEP 100**

T600 H1 D V2 L50050 O50 (Ø150-200)

T600 H1 D V2 L50060 O50 (Ø250-300)

T600 H1 D V2 L50080 O50 (Ø350-400)

T600 H1 D V2 L500XX XXX (Ø450-600)



## POWER GENERATORS

Generators are used to generate electricity via an alternator which is driven by the engine (usually a combustion engine). The generator set exhaust system must collect gases from the engine cylinders and discharge them as quickly and silently as possible.

These flue gases are travelling at high speed (typically around 30m/sec) at temperatures ranging from 400°C to 600°C and at pressures up to 5000 Pascals. The exhaust system should be designed where possible to minimize back pressure at the generator outlet which can cause horsepower losses and temperature increases that can shorten the engine's life.

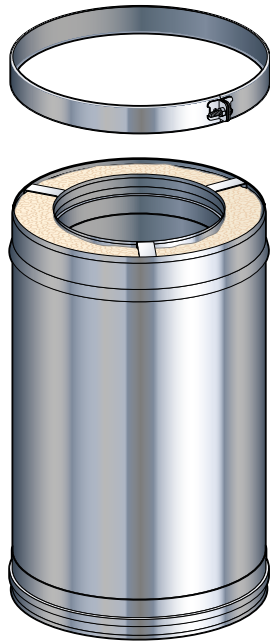
The combination of these flue gas characteristics often result in the emission of excessive noise and increased vibration and the chimney system must be protected from this.

The Therm + GEP chimney system from Poujoulat is ideal for generator set exhaust applications.

Several factors impact the exhaust system performance. Building constraints, noise control, condensation, vibration, heat dissipation and building codes must be considered.

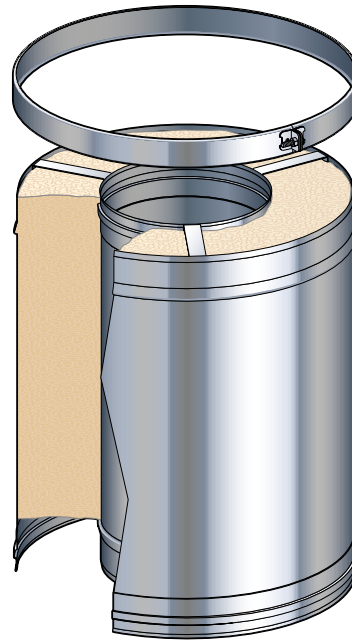
# TECHNICAL DATA

## THERM+ GEP 50

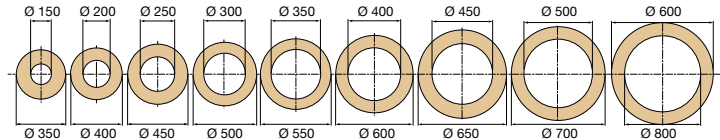
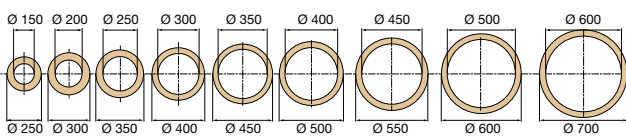


Inner: 316L / Outer: 304  
Insulation: Mineral wool 50mm

## THERM+ GEP 100



Inner: 316L / Outer: 304  
Insulation: Mineral wool 100mm



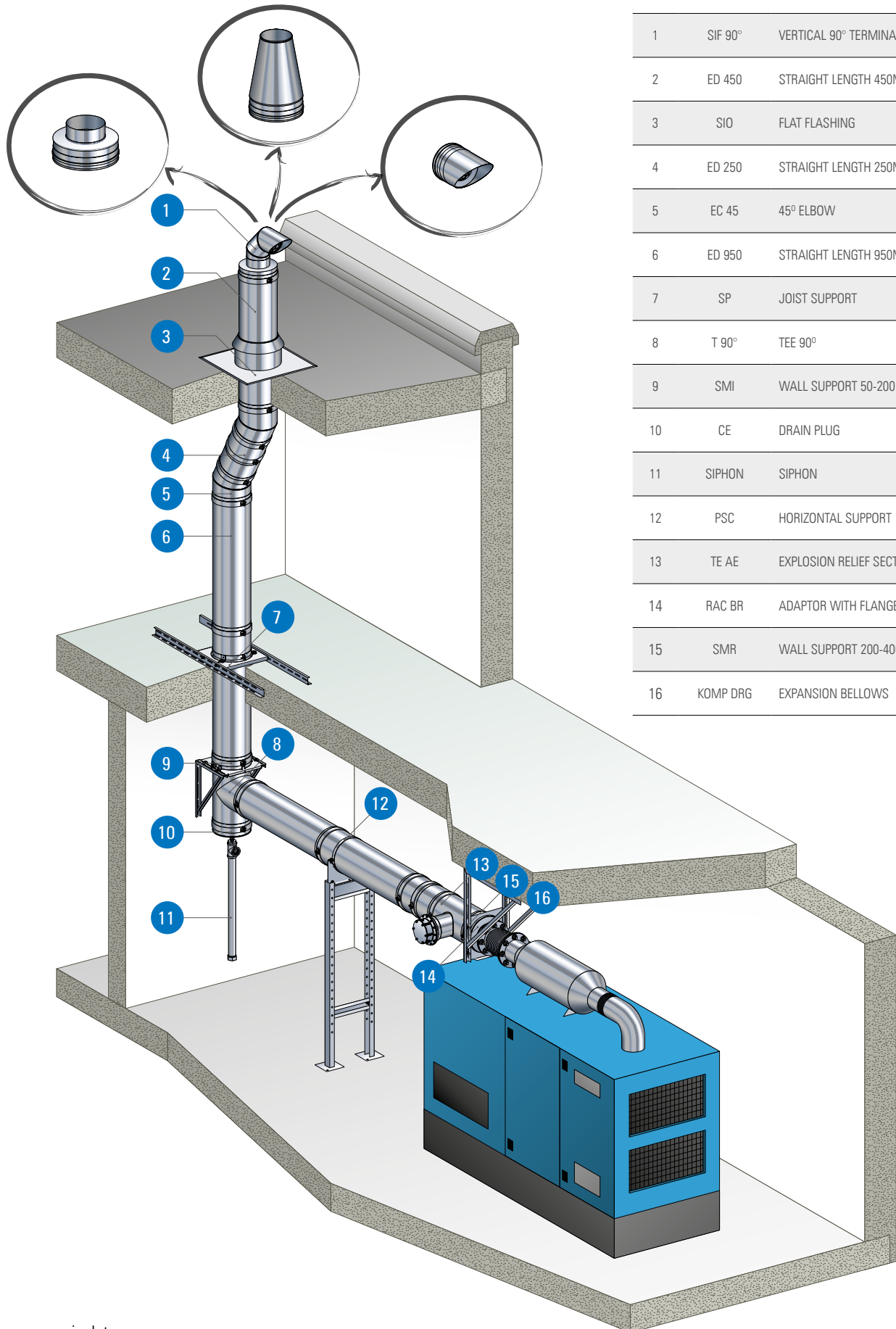
## GENERAL PRINCIPLE

- » THERM+ GEP is available in two thicknesses of insulation: 50 mm and 100 mm.
- » The chimney construction prevents heat bridges and allows free dilatation of the internal flue. The system can be easily assembled and disassembled giving you a significant competitive advantage in the course of installation. A wide range of accessories is offered such as support brackets complete with anti-vibration mounts, components for explosion or implosion relief, expansion bellows and adjustable lengths.

## PRINCIPLE BENEFITS

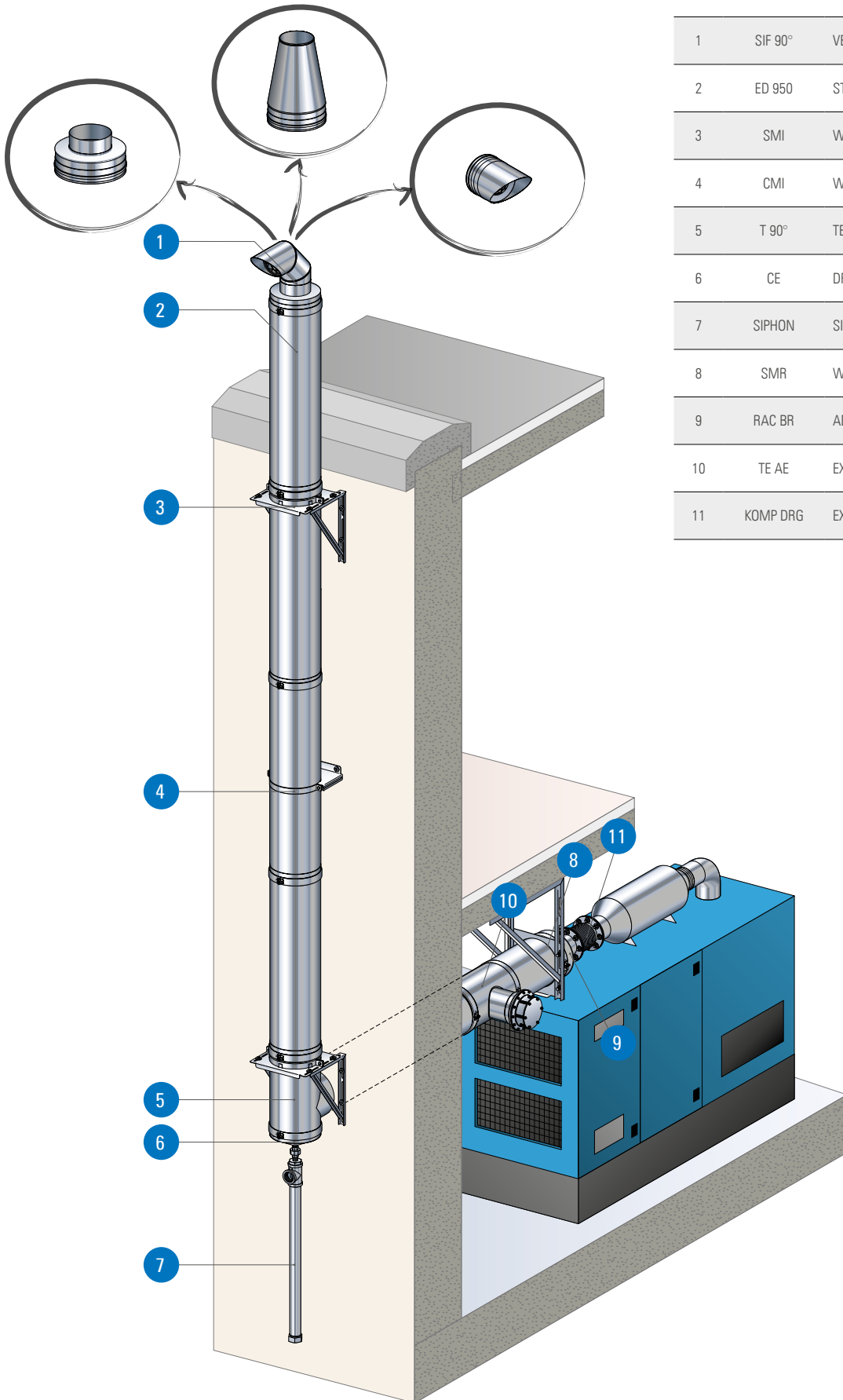
- » **OPTIMISATION:** High thermal performance of the chimney system ensures maximum operational efficiency and reduces the space required for the installation. It also provides a controlled outer casing surface temperature and minimizes risk to personnel.
- » **COMPLIANCE WITH STANDARDS:** CE marked to EN 1856-1.
- » **INSTALLATION:** Easy to install, push fit joints with secure locking bands, wall brackets at 4.0m intervals, with up to 8.0 m or 12.0 m on a wall support and up to 3.0m freestanding.
- » **SAFETY:** Tested by CERIC laboratory.
- » **INNOVATION:** The system is designed to work as a pressure tight system up to 5000 Pa (H1).  
The push fit joint system allows for thermal movement within the system using standard components.

# INTERNAL APPLICATION

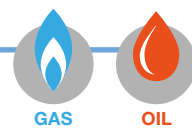


1	SIF 90°	VERTICAL 90° TERMINAL
2	ED 450	STRAIGHT LENGTH 450MM
3	SIO	FLAT FLASHING
4	ED 250	STRAIGHT LENGTH 250MM
5	EC 45	45° ELBOW
6	ED 950	STRAIGHT LENGTH 950MM
7	SP	JOIST SUPPORT
8	T 90°	TEE 90°
9	SMI	WALL SUPPORT 50-200
10	CE	DRAIN PLUG
11	SIPHON	SIPHON
12	PSC	HORIZONTAL SUPPORT
13	TE AE	EXPLOSION RELIEF SECTION
14	RAC BR	ADAPTOR WITH FLANGE
15	SMR	WALL SUPPORT 200-400
16	KOMP DRG	EXPANSION BELLOWS

# EXTERNAL APPLICATION



1	SIF 90°	VERTICAL 90° TERMINAL
2	ED 950	STRAIGHT LENGTH 950 MM
3	SMI	WALL SUPPORT 50-200
4	CMI	WALL BRACKET
5	T 90°	TEE 90°
6	CE	DRAIN PLUG
7	SIPHON	SIPHON
8	SMR	WALL SUPPORT 200-400
9	RAC BR	ADAPTOR WITH FLANGE
10	TE AE	EXPLOSION RELIEF SECTION
11	KOMP DRG	EXPANSION BELLOWS



# NOTES

---

---

---

---

---

---

---

---

---

---

---

---

---

---

---

---

---

---

---

---

---

---

---

---

---

Poujolat S.A.  
CS 50016  
F-79270 Saint-Symphorien - FRANCE  
Tel. +33 5 49 04 47 63  
Tel. +33 5 49 04 48 30  
Tel. +33 5 49 04 48 60  
Fax +33 5 49 04 16 85  
[www.poujolat.fr](http://www.poujolat.fr) - [export@poujolat.fr](mailto:export@poujolat.fr)  
SA AU CAPITAL DE 12 000 000 €  
781 446 521 RCS NIORT  
SIRET 781 446 521 00028  
APE 2420 Z

Supplied by



Some photographs in this brochure have been created for illustration purposes only and may not represent real live installations.

This brochure is copyright © 2017  
and may not be reproduced in any part or form  
without prior written consent from Poujolat

